

Filler ALL-IN-ONE



Our flexibility for your challenges.

Main features

- Single machine that can rinse / fill / cap glass bottles, cans and PET bottles
- Nearly unlimited possibilities for different containers, closures and products supported
- Tailor-made and space saving solution (as per customer & solution requirements)
- Industry leading changeover time
- Built to match the highest requirements for hygiene
- Different sustainable solutions available
- Drive concept with servo motors

Applications

- Beer
- RTD's
- Soft drinks (still & sparkling)
- Wine (still & sparkling)
- Water (still & sparkling)
- Juices (including fruit pulp, up to 1x6 mm)

Filling temperature range

- 0°- 20°C

CO₂ content

- 0 – 8 gr/l

Speed range

- 5.000 cph up to 30.000 cph

Sizes & configurations

- Several different sizes, nearly unlimited configurations (w/wo rinser; different capping applications)

Formats

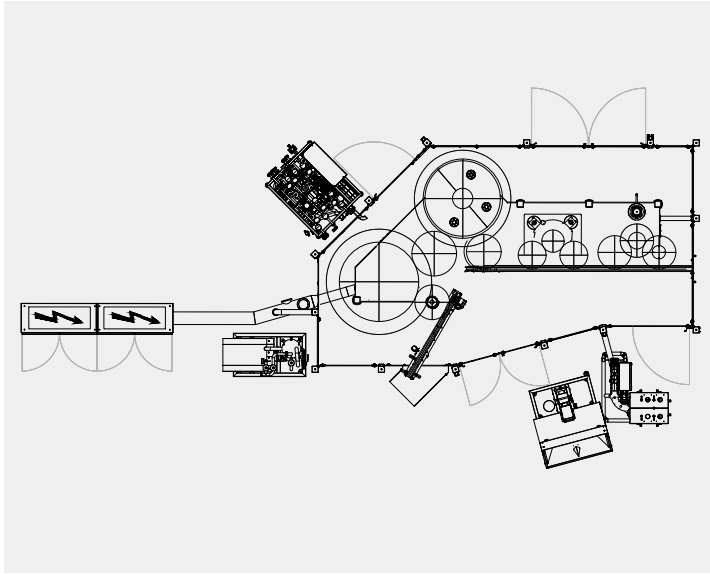
- Glass, cans and PET bottles
- From 150 ml to 2.000 ml

Closure possibilities

- For cans: Lid sizes 200, 202, 206, 209
- For glass: Crown corks, Aluminium screw caps, T-corks, Natural straight corks, Mushroom corks, Stelvin Lux, Swing stop closures, etc...
- For PET: Plastic screw cap, Sport cap, etc...

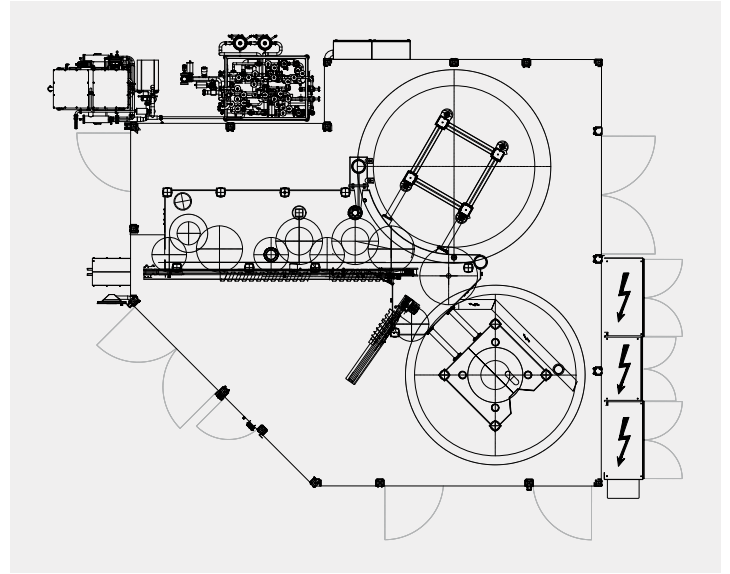
From small & flexible solutions ...

Configuration for glass (Stelvin Lux, ROPP & optionally Crown cork), cans and PET bottles



... to bigger & customized solutions

Configuration for glass and cans for 15 different containers, and 5 different capping applications with clean room and cap disinfection



Rinser

- Rotary rinser with universal grippers for all container types
- Designed with one or two separate channels allowing the usage of different media

Filler

- Six different filling systems available
- Double container pre-evacuation (also for cans), undercover gassing & bubble breaker (cans), hot water injection (glass bottles) for low O₂ pick-up

Closing systems

- Possibility of combining:
 - up to 3 different capping application on a single turret for capacities up to 8.000 cph (without mechanical change-over)
 - up to 2 different capping application on a single turret for capacities up to 16.000 cph (without mechanical change-over)
 - dedicated capping turrets above 16.000 cph
- Possibility of an extended housing for future capping applications

Lid supply options

- Chute for manual lid loading
- Rotary lid supply system with lid magazine
- Automated Can End Unwrapping and Feeding System

Options / upgrades

Hygiene

- External flushing system with piping and nozzles for external cleaning
- Foaming system
- Simple cover with HEPA filter or full clean room
- Cap and/or lid disinfection
- Automatic CIP cap insertion

Sustainability

- Water re-use system
- Circulation of the disinfectant media

Other

- System for Hot-fill (w/wo glass bottle preheating)
- Cap elevator
- Different capping applications & combination possibilities
- Trolleys (for format parts, CIP caps, filling tubes, etc...)
- ...